



**ELECTRICAL SPECIFICATIONS**

Model NO.	SLS150M	SLS160M	SLS175M
Peak power(Pmax)	150W	160w	175w
Maximum power voltage(Vmp)	18.2V	19.03	19.71
Maximum power current(Imp)	8.33A	8.4	8.89
Short-circuit current(Isc)	8.99A	8.98	9.34
Open circuit voltage(Voc)	22.3V	22.05	22.7
Optimized cell efficiency(η)	17.20%	17.60%	18.20%
Power tolerance:	0~+3%		
Maximum system voltage	1000VDC		

**TEMPERATURE COEFFICIENT**

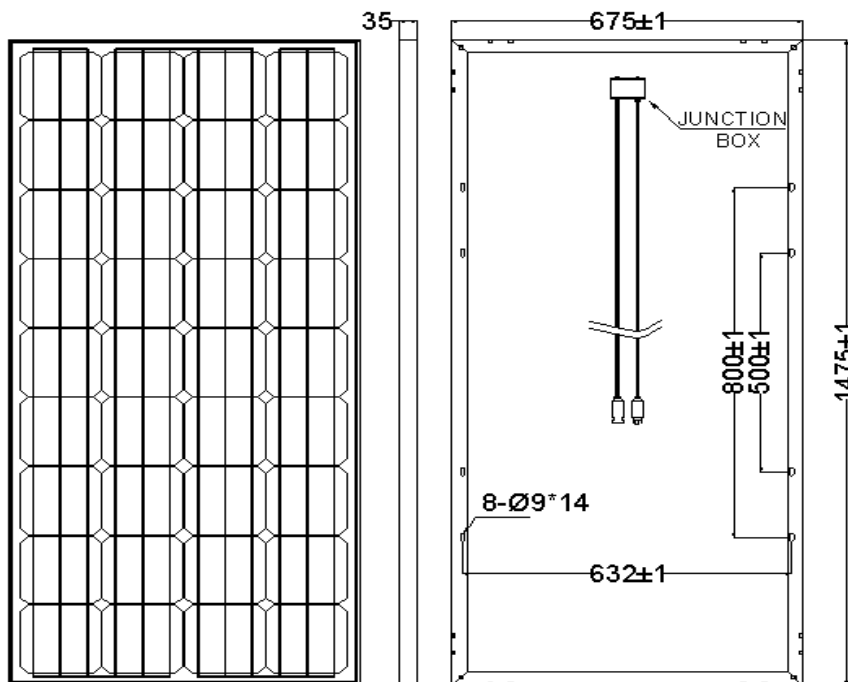
Current temperature coefficient	0.037%/°C
Voltage temperature coefficient	-0.34%/°C
Power temperature coefficient	-0.48%/°C

STC: Irradiance of 1000W /m2, AM 1.5, Cell Temperature of 25°C

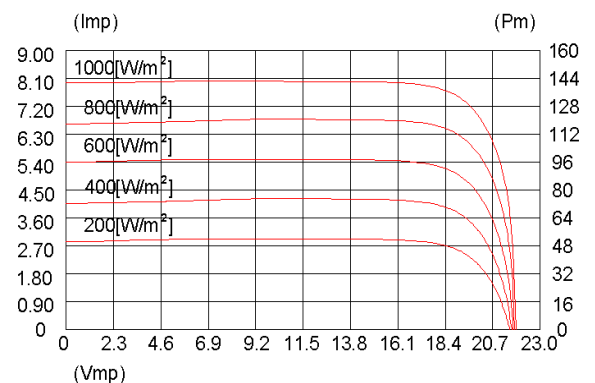
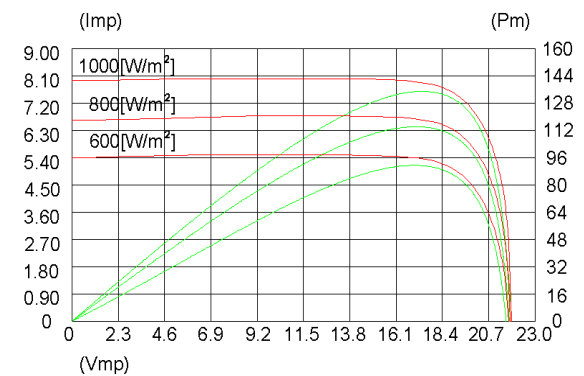
**MECHANICAL SPECIFICATIONS**

Cell Type	156mm x 156mm
Number of Cells	36 cells in series
Weight	10.5 kg (23.15 lbs)
Dimension	1475×675×35mm
Front Glass	3.2mm tempered glass
Frame	Anodized aluminum alloy
Max Load	5400 Pascals ( 112 lb/ft2)
Junction Box	IP65
Cable/Connector	900mm /MC4 Compatible

**PHYSICAL CHARACTERISTICS**



**ELECTRICAL CHARACTERISTICS**



\*Due to continuous innovation, research and product improvement, the specifications are subject to change without prior notice.

\*The data do not refer to a single module and they are not part of the offer, they only serve for comparison to different module types.

25-year performance warranty  
5-year warranty on materials and workmanship  
The specifications are subject to change without prior notice.