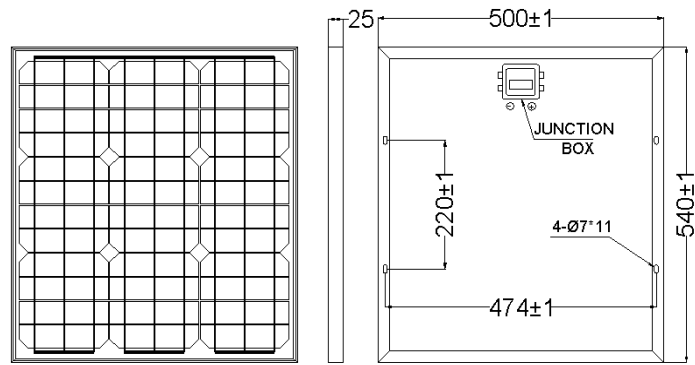




ELECTRICAL SPECIFICATIONS

Model NO.	SLS035M	SLS040M
Peak power(Pmax)	35W	40W
Maximum power voltage(Vmp)	17.7V	18V
Maximum power current(Imp)	1.98A	2.3A
Short-circuit current(Isc)	2.09A	2.35A
Open circuit voltage(Voc)	21.6V	22.4V
Cell efficiency(η)	16.50%	17.80%
Power tolerance:	±3%	
Operating temperature	-40°C to +85°C	
Maximum system voltage	600VDC	

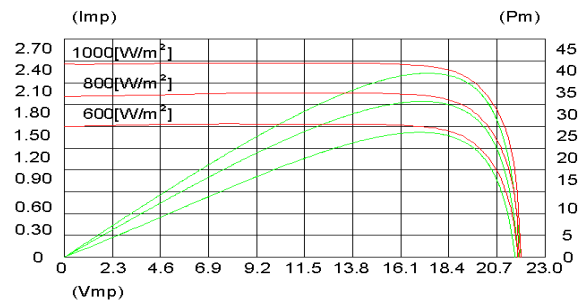
PHYSICAL CHARACTERISTICS



TEMPERATURE COEFFICIENT

Current temperature coefficient	0.037%/°C
Voltage temperature coefficient	-0.34%/°C
Power temperature coefficient	-0.48%/°C
STC: Irradiance of 1000W /m ² , AM 1.5, Cell Temperature of 25°C	

ELECTRICAL CHARACTERISTICS



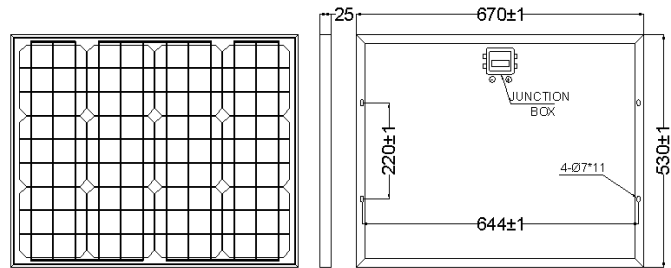
MECHANICAL SPECIFICATIONS

Cell Type	156mm x 39mm
Number of Cells	36 cells in series
Weight	3.5kg (7.7lbs)
Dimension	500x540x25mm
Max Load	5400 Pascals (112 lb/ft ²)
Junction Box	
Cable/Connector	

ELECTRICAL SPECIFICATIONS

Model NO.	SLS045M	SLS050M
Peak power(Pmax)	45W	50W
Maximum power voltage(Vmp)	18V	18.2V
Maximum power current(Imp)	2.52A	2.75A
Short-circuit current(Isc)	2.67A	2.91A
Open circuit voltage(Voc)	21.6V	22.1V
Cell efficiency(η)	16.00%	17.20%
Power tolerance:	±3%	
Operating temperature	-40°C to +85°C	
Maximum system voltage	600VDC	

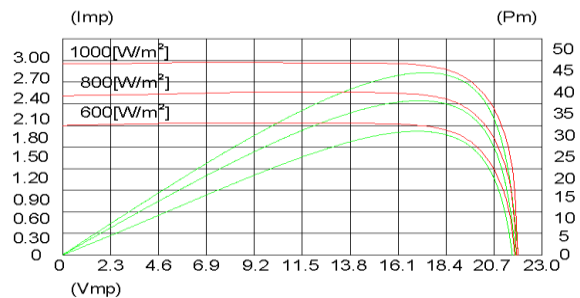
PHYSICAL CHARACTERISTICS



TEMPERATURE COEFFICIENTS

Current temperature coefficient	0.037%/°C
Voltage temperature coefficient	-0.34%/°C
Power temperature coefficient	-0.48%/°C
STC: Irradiance of 1000W /m ² , AM 1.5, Cell Temperature of 25°C	

ELECTRICAL CHARACTERISTICS



MECHANICAL SPECIFICATIONS

Cell Type	156mm x 52mm
Number of Cells	36 cells in series
Weight	4.2kg (9.24lbs)
Dimension	530x670x25mm
Max Load	5400 Pascals (112 lb/ft ²)
Junction Box	
Cable/Connector	

*Due to continuous innovation, research and product improvement, the specifications are subject to change
*The data do not refer to a single module and they are not part of the offer, they only serve for comparison

25-year performance warranty
5-year warranty on materials and workmanship
The specifications are subject to change without prior notice.